

auto electrical parts

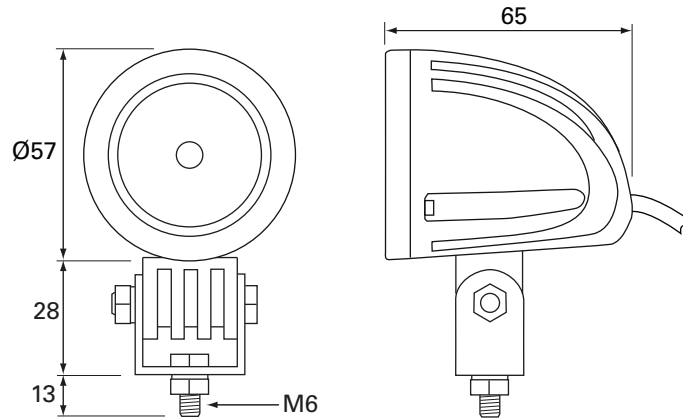
Technical Information Sheet

Part No. 0-420-57

A powerful, compact single 10 watt 10-60 volt CREE LED spot lamp. Low current draw, 0.7 amp at 12 volt dc. Black powder coated die cast aluminium case, polycarbonate lens, supplied with stainless steel adjustable bracket and flying lead. Protected to IP67. I 57 x w 65 x h 85mm.



Technical Drawing (not to scale)



Specification

Type	LED spot lamp
Voltage	10 - 60 volt dc
Current	0.7 amp @ 12 volt dc
LED	10 watt CREE LED
Illumination	750 Lumens
Lens	polycarbonate
Housing	Die cast aluminium
Protection	IP67
Operating temperature	-40° to 60° C
Weight	260g
Dimensions	see diagram
Certification	CE

The information contained in this document is correct to the best of our knowledge at the time of printing. However, specifications may change at any time without notice.